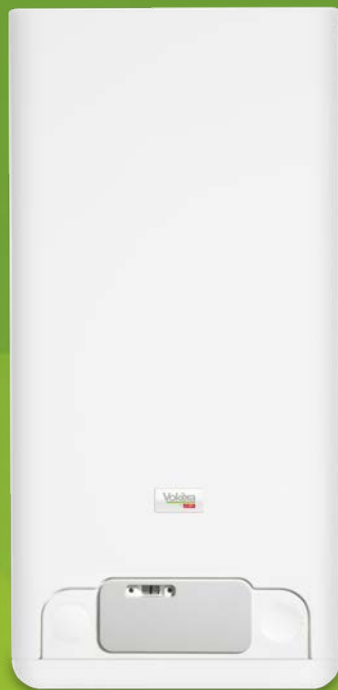


## Mynute 20 VHE

High efficiency  
open vent boiler



RANGE - 20VHE ■

ErP CLASS A ■

5 YEAR WARRANTY ■

RADIAL HEAT EXCHANGER ★

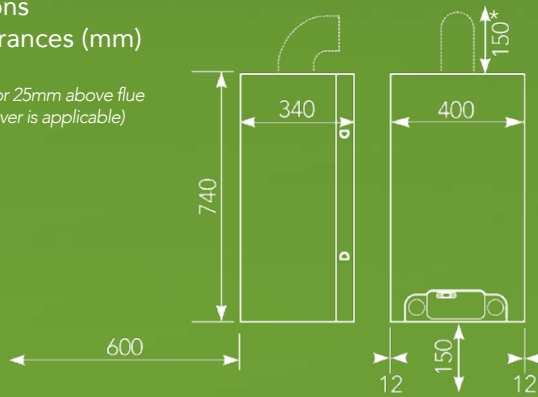
VERSATILE FLUEING OPTIONS ★

# Mynute 20 VHE

## High efficiency open vent boiler

### Dimensions and Clearances (mm)

\*From casing or 25mm above flue elbow (whichever is applicable)



- Fully compliant with the Energy-related Products Directive.
- 5 year parts and labour warranty.<sup>(1)</sup>
- Vokèra's unique radial design heat exchanger utilises an extruded aluminium alloy. The design and large cross-sectional area eliminate the risk of scaling or superheated areas.
- Low pressure loss reduces noise and increases pump performance.
- Simple commissioning; only minimal adjustments are required after installation and automatic modulation eliminates the need to range rate the boiler.
- Only requires one metre minimum static head.
- Anti-cycling control reduces on/off cycling, increasing efficiency of the boiler and reducing fuel costs.
- Built-in frost protection, which protects the appliance from damage during periods of cold weather. External pump must be connected directly to the boiler to ensure this function operates.
- Versatile, horizontal, vertical or rear flueing options enable the boiler to be sited almost anywhere in the home.\* Flue type certification also permits Mynute VHE to be used with Vokèra's 80mm PP flexible flue liner and B23 applications.
- Anti-seize function protects the pump from sticking during long periods of inactivity.
- Standard Autostop disabling function<sup>(2)</sup> that automatically changes the current operating mode and moves it permanently into the standby mode, helping Registered Social Landlords fulfill their legal obligation of an annual gas safety check.
- Intuitive control panel ensures end users can easily operate and adjust the appliance.
- Purge cycle feature. The boiler will automatically run a two minute purge cycle when the boiler is switched on for the first time before the burner ignites to expel any air that may be present in the system.
- Compatible with Vokèra's Zenith solar thermal collectors and AquaFlow unvented single and twin coil cylinders.

<sup>(1)</sup>Subject to registration and annual service. <sup>(2)</sup>Autostop activation device required.

SPECIFICATIONS	MYNUTE 20VHE
PRODUCT ORDER CODE	20144035
CENTRAL HEATING	
HEAT INPUT (kW)	20
MAXIMUM HEAT OUTPUT 60/80°C (kW)	19.7
MAXIMUM HEAT OUTPUT 30/50°C (kW)	21.2
DIMENSIONS	
HEIGHT (MM)	740
WIDTH (MM)	400
DEPTH (MM)	340
WEIGHT	
DRY WEIGHT (KG)	28
CONNECTIONS	
FLOW & RETURN	22MM
GAS	15MM
CONDENSATE	21MM
ELECTRICAL DATA	
VOLTAGE (V/Hz)	230/50
FLUE DETAILS (CONCENTRIC)	
MAXIMUM HORIZONTAL FLUE LENGTH 60/100MM	7.8M
MAXIMUM VERTICAL FLUE LENGTH 60/100MM	8.8M
MAXIMUM HORIZONTAL FLUE LENGTH 80/125MM	25M
MAXIMUM VERTICAL FLUE LENGTH 80/125MM	25M
FLUE DETAILS (TWIN)	
MAXIMUM HORIZONTAL FLUE LENGTH (80MM/80MM)	40M/40M
MAXIMUM VERTICAL FLUE LENGTH (80MM/80MM)	40M/40M
EFFICIENCY	
ErP SEASONAL SPACE HEATING ENERGY EFFICIENCY (CLASS/%)	A/92
SAP 2009 EFFICIENCY (%)	88.8
NOX CLASS	5

ACCESSORIES	
DESCRIPTION	CODE
TELESCOPIC FLUE TERMINAL	20131981
SPACING FRAME	2359689
MAGNETIC FILTER	29450199
CONDENSATE PUMP	404
WHITE PIPE COVER 400MM	518
MYNUTE VHE LPG CONVERSION KIT	01005446



ErP Compliant



5 Year Warranty<sup>(1)</sup>



Radial Heat Exchanger



Versatile Flueing Options



Endorsed Product

GET IN TOUCH

Vokèra Limited, Borderlake House, Unit 7 Riverside Industrial Estate, London Colney, AL2 1HG

E: [enquiries@vokera.co.uk](mailto:enquiries@vokera.co.uk)

W: [www.vokera.co.uk](http://www.vokera.co.uk)

T: 0844 391 0999

F: 0844 391 0998

### WE ARE SOCIAL

