

Vision Plus

High efficiency
system boilers



VISION PLUS SYSTEM 20S - 30S ■

ErP CLASS A ■

7 YEAR WARRANTY ■

EMBEDDED 7 DAY DIGITAL CLOCK ■

RADIAL STAINLESS STEEL HEAT EXCHANGER ■

BUILT-IN RELAY ■

CLICK FIT FLUE ■

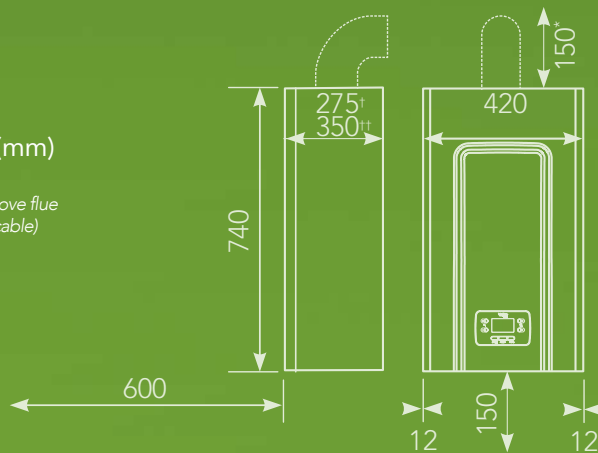
CONVERTS TO LPG ■

Vision Plus

High efficiency system boilers

Dimensions and Clearances (mm)

*From casing or 25mm above flue elbow (whichever is applicable)
 †Model 20S
 ††Models 25S & 30S



- Fully compliant with the Energy-related Products Directive. Further efficiency can be achieved when installed with a weather compensation sensor or OpenTherm control.⁽¹⁾
- 7 year parts and labour warranty.⁽²⁾
- Simple to use embedded 7 day digital clock with three modes of operation and back-lit LCD display enables full control of heating times over the week, maximising control and saving energy. The clock can be disabled should an alternative control be required.⁽³⁾
- A built-in relay allows for easy integration with zone valves such as 'S-Plan' configurations.
- A wide modulation ratio ensures boiler cycling is reduced, even when the central heating load is minimal.
- A new radial stainless steel heat exchanger enables front servicing and reduced installation clearances.
- Click fit flue connection for quick and easy installation of the flue system.
- Flueing options available are; horizontal, vertical and twin flue.
- Designed for easy installation and maintenance with reduced clearances required for component access.
- Traditional Vokèra pipework layout enables trouble-free replacement of older Vokèra boilers.
- OpenTherm and Modbus protocols embedded for integration of modulating controls and hybrid heating systems.
- Auxiliary and pump and zone valve control accessories enable integration with two temperature heating circuits, such as traditional radiators with underfloor heating.
- Standard Autostop disabling function⁽⁴⁾ that automatically changes the current operating mode and moves it permanently into the standby mode, helping Registered Social Landlords fulfill their legal obligation of an annual gas safety check.
- Simple commissioning; only minimal adjustments are required after installation and automatic modulation eliminates the need to range rate the boiler.

⁽¹⁾The addition of an energy saving control will override the built-in digital control settings on the Vision Plus system.

⁽²⁾Subject to registration and annual service.

⁽³⁾Single channel for heating only

⁽⁴⁾Autostop activation device required.

SPECIFICATIONS	VISION PLUS 20S	VISION PLUS 25S	VISION PLUS 30S
PRODUCT ORDER CODE	20174726	20174728	20174729
CENTRAL HEATING			
HEAT INPUT (kW)	20	25	30
MAXIMUM HEAT OUTPUT 60/80°C (kW)	19.4	24.4	29.2
MAXIMUM HEAT OUTPUT 30/50°C (kW)	21.3	27.0	32.3
DIMENSIONS			
HEIGHT X WIDTH X DEPTH (MM)	740 x 420 x 275	740 x 420 x 350	
WEIGHT			
DRY WEIGHT (KG)	34	36	36
CONNECTIONS			
FLOW & RETURN	22MM		
GAS	22MM		
SAFETY VALVE	15MM		
ELECTRICAL			
VOLTAGE (V/Hz)	230/50		
FLUE DETAILS (CONCENTRIC)			
MAXIMUM HORIZONTAL FLUE LENGTH 60/100MM	10M	6M	6M
MAXIMUM VERTICAL FLUE LENGTH 60/100MM	11M	7M	7M
MAXIMUM HORIZONTAL FLUE LENGTH 80/125MM	25M	15M	15M
MAXIMUM VERTICAL FLUE LENGTH 80/125MM	25M	15M	15M
FLUE DETAILS (TWIN)			
MAX HORIZONTAL / VERTICAL FLUE LENGTH (80MM/80MM)	50M/50M	25M/25M	25M/25M
EFFICIENCY			
ErP SEASONAL SPACE HEATING ENERGY EFFICIENCY (CLASS/%)	A/92	A/92	A/92
SAP 2009 EFFICIENCY (%)	TBA	TBA	TBA
NOX CLASS	6	6	6

ACCESSORIES

DESCRIPTION	CODE
STANDARD HORIZONTAL FLUE TERMINAL	20122759
TELESCOPIC HORIZONTAL FLUE TERMINAL	20122761
VERTICAL FLUE TERMINAL	20122763
OUTSIDE WEATHER COMPENSATION SENSOR	1220559
ZONE MANAGEMENT KIT	20132795
ADDITIONAL ZONE MODULE	20132796
RELAY (BE09)	20062614
RELAY (ITFR05)	20000783
SPACING FRAME	20139516
MAGNETIC FILTER	29450199
PRE FIXING JIG	20177531
CONDENSATE PUMP	404
LPG CONVERSION KITS	20007958 20080711

ErP Compliant

7 Year Warranty

OpenTherm Inside

7 Day Time Clock⁽³⁾

Radial Heat Exchanger

BUILT-IN ON-BOARD RELAY

Click Fit Flue

Converts to LPG

GET IN TOUCH

Vokèra Limited, Borderlake House, Unit 7 Riverside Industrial Estate, London Colney, AL2 1HG

E: sales@vokera.co.uk

Sales: 01727 744000

Technical: 0141 465 4545

W: www.vokera.co.uk

Fax: 0844 391 0998

Service: 01274 866100

WE ARE SOCIAL

