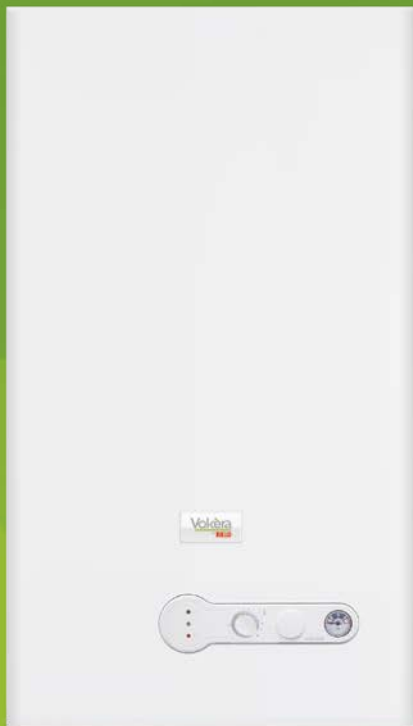


Vibe

High efficiency
system boiler



RANGE 20 & 25 ■

ErP CLASS A ■

2 YEAR WARRANTY ■

KITCHEN CUPBOARD FIT ■

CAN BE CONVERTED TO LPG ■

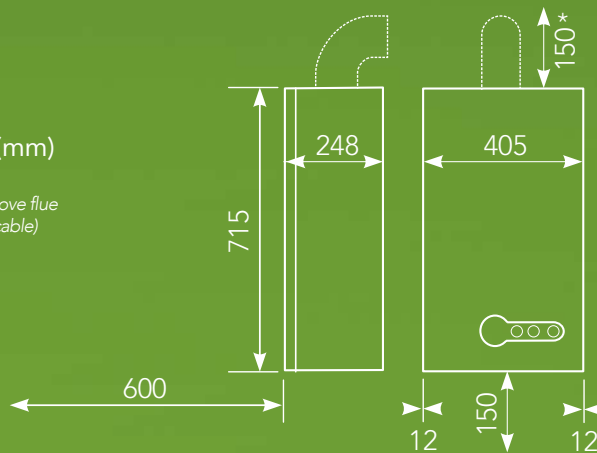
OPTIONAL PIPE COVER ■

Vibe

High efficiency system boiler

Dimensions and Clearances (mm)

*From casing or 25mm above flue elbow (whichever is applicable)



- Fully compliant with the Energy-related Products Directive.
- 2 year parts and labour warranty.⁽¹⁾
- Built-in on-board relay provides the simplest of connections to 230V controls, including the use of weather compensation on system boilers and enables 'Y-plan' compatibility and use of non 'voltage-free' controls.
- Designed for easy installation. Standard Vokera pipework layout enables trouble-free replacement of older Vokera models.
- Compact dimensions and low lift weight enable a flexible installation with the boiler able to be sited almost anywhere in the home.
- Additional built-in functions include: SARA function for automatic temperature control and improved efficiency, anti-cycling for longer lasting component performance and CO mode for simple servicing.
- Simple commissioning; only minimal adjustments are required after installation and automatic modulation eliminates the need to range rate the boiler.
- Pipe cover available as an optional extra creates a neater installation.
- Anti-cycling control prevents energy wasteful on/off cycling and reduces wear and tear.
- Low NOx - Class 5 performance.
- Built-in frost protection, which protects the appliance from damage during periods of cold weather.
- Installation time saving features: built-in condensate trap with safety device and push-fit connection and no ventilation is required.
- Combustion analysis test point for easy servicing and maintenance.
- Can be converted to LPG.
- Install with a Vokera unvented cylinder to complete your installation. Single and twin coil cylinders available.
- Compatible with Zenith solar thermal range.

⁽¹⁾Subject to registration and annual service.



ErP Compliant



2 Year Warranty⁽¹⁾



Cupboard Fit



Converts to LPG



Optional Pipe Cover

GET IN TOUCH

Vokera Ireland, Westcourt Business Park, Callan, Kilkenny, R95 PW40

E: enquiries@vokera.co.uk

W: www.vokera.ie

T: 056 775 5055

F: 056 775 5060

SPECIFICATIONS	VIBE 20A	VIBE 25A
PRODUCT ORDER CODE	20099230	20099231
CENTRAL HEATING		
HEAT INPUT (kW)	20	25
MAXIMUM HEAT OUTPUT 60/80°C (kW)	19.5	24.5
MAXIMUM HEAT OUTPUT 30/50°C (kW)	20.8	26.2
DIMENSIONS		
HEIGHT (MM)	715	
WIDTH (MM)	405	
DEPTH (MM)	248	
WEIGHT		
DRY WEIGHT (KG)	26	27
CONNECTIONS		
FLOW & RETURN	22MM	
GAS	15MM	
SAFETY VALVE	15MM	
CONDENSATE	21MM	
ELECTRICAL DATA		
VOLTAGE (V/Hz)	230/50	
FLUE DETAILS (CONCENTRIC)		
MAXIMUM HORIZONTAL FLUE LENGTH 60/100MM	5.85M	4.85M
MAXIMUM VERTICAL FLUE LENGTH 60/100MM	6.85M	5.85M
MAXIMUM HORIZONTAL FLUE LENGTH 80/125MM	15.3M	12.8M
MAXIMUM VERTICAL FLUE LENGTH 80/125MM	16.3M	13.8M
FLUE DETAILS (TWIN)		
MAXIMUM HORIZONTAL FLUE LENGTH (80MM/80MM)	45M/45M	40M/40M
MAXIMUM VERTICAL FLUE LENGTH (80MM/80MM)	45M/45M	40M/40M
EFFICIENCY		
ErP SEASONAL SPACE HEATING ENERGY EFFICIENCY (CLASS/%)	A/93	A/93
SAP 2009 EFFICIENCY (%)	89.2	89.1
NOX CLASS	5	5

ACCESSORIES

DESCRIPTION	CODE
TELESCOPIC FLUE TERMINAL	20131981
SPACING FRAME	20030704
MAGNETIC FILTER	29450199
CONDENSATE PUMP	404
PIPE COVER	20012594
VIBE 20A LPG CONVERSION KIT	20082917
VIBE 25A LPG CONVERSION KIT	20113110

WE ARE SOCIAL

