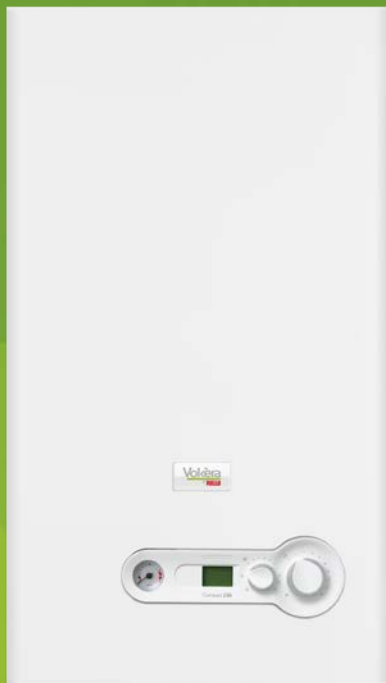


## Compact A

High efficiency  
combi boiler



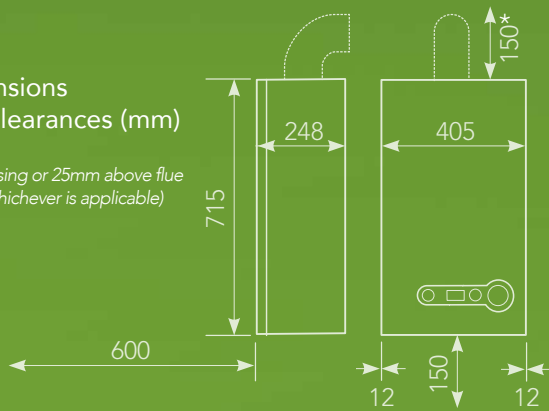
- RANGE 25A - 29A - 32A ■
- ErP CLASS A ■
- 5 YEAR WARRANTY ■
- LIGHTWEIGHT WITH COMPACT DIMENSIONS ■
- KITCHEN CUPBOARD ■
- 'CLICK FIT' FLUE CONNECTION ■
- UNIVERSAL PIPE LAYOUT VERSION ■

## Compact A

### High efficiency combi boiler

#### Dimensions and Clearances (mm)

\*From casing or 25mm above flue elbow (whichever is applicable)



- Fully compliant with the Energy-related Products Directive. Further efficiency can be achieved when installed with a weather compensation sensor or OpenTherm control such as BeSMART.
- Small dimensions enable the boiler to be sited almost anywhere in the home, including within a kitchen cupboard.
- Available as traditional Vokera pipe layout or universal 'DIN' layout.
- Rear flue option as well as the standard top flue option provides a versatile installation. Other flueing options available are; horizontal, vertical and twin flue.
- Easy to understand diagnostic display aids the service engineer in the unlikely event of a fault developing.
- 5 year parts and labour warranty.<sup>(1)</sup>
- Energy Saving Trust endorsed product.
- Compact dimensions and low lift weight at only 26kg for the 25A enables a flexible installation allowing the boiler to be lifted into place easily, even in tight spaces.
- Attach the 7 day RF programmable room thermostat, with a Tyco connection for a simple installation, to increase efficiency and maintain optimum room temperature.
- Designed for easy installation.
- Simple commissioning; only minimal adjustments are required after installation and automatic modulation eliminates the need to range rate the boiler.
- Anti-cycling control prevents wasteful on/off cycling and reduces wear and tear.
- Built-in frost protection, protects the appliance from damage during periods of cold weather.
- Compatible with Vokera Fuelsaver passive flue gas heat recovery device which is listed on the PCDB and validated for SAP 2009.
- Standard Autostop disabling function<sup>(3)</sup> that automatically changes the current operating mode and moves it permanently into the standby mode, helping Registered Social Landlords fulfill their legal obligation of an annual gas safety check.

<sup>(1)</sup>Subject to registration and annual service. <sup>(2)</sup>Control Interface required for use with OpenTherm and Weather compensation sensor. Code 20008401. <sup>(3)</sup>Autostop activation device required.



SPECIFICATIONS	COMPACT 25A	COMPACT 29A	COMPACT 25A DIN	COMPACT 29A DIN	COMPACT 32A DIN
PRODUCT ORDER CODE	20099226	20099227	20162844	20099233	20166153
CENTRAL HEATING					
HEAT INPUT (kW)	20	25	20	25	25
MAXIMUM HEAT OUTPUT 80/60°C (kW)	19.5	24.5	19.5	24.5	24.5
MAXIMUM HEAT OUTPUT 50/30°C (kW)	20.8	26.2	20.8	26.2	26.2
DOMESTIC HOT WATER					
MAXIMUM INPUT (kW)	25.0	29.0	25.0	29.0	31.6
FLOW RATE - 35° C RISE (L/MIN)	10.2	11.9	10.2	11.9	12.9
DIMENSIONS					
HEIGHT (MM)	715				
WIDTH (MM)	405				
DEPTH (MM)	248				
WEIGHT					
DRY WEIGHT (KG)	26	27	26	27	29
CONNECTIONS					
FLOW & RETURN	22MM				
GAS	15MM				
DHW INLET & OUTLET	15MM				
SAFETY VALVE	15MM				
CONDENSATE	21MM				
ELECTRICAL					
VOLTAGE (V/Hz)	230/50				
FLUE LENGTHS (CONCENTRIC)					
MAX HORIZONTAL FLUE 60/100MM	5.85M	4.85M	5.85M	4.85M	4.85M
MAX VERTICAL FLUE 60/100MM	6.85M	5.85M	6.85M	5.85M	5.85M
MAX HORIZONTAL FLUE 80/125MM	15.3M	12.8M	15.3M	12.8M	12.8M
MAX VERTICAL FLUE 80/125MM	16.3M	13.8M	16.3M	13.8M	13.8M
FLUE LENGTHS (TWIN)					
MAX HORIZONTAL (80/80MM)	45M/45M	40M/40M	45M/45M	40M/40M	40M/40M
MAX VERTICAL (80/80MM)					
EFFICIENCY					
ErP SEASONAL SPACE HEATING ENERGY EFFICIENCY (CLASS/%)	A/93				
ErP WATER HEATING EFFICIENCY (XL PROFILE) (CLASS/%)	A/85	A/84	A/85	A/84	A/86
SAP 2009 EFFICIENCY (%)	89.1	89.0	89.1	89.0	89.0
NOX CLASS	6				

ACCESSORIES			
DESCRIPTION	CODE	DESCRIPTION	CODE
HORIZONTAL FLUE TERMINAL (XF)	20122759	ANALOGUE CLOCK	20025085
TELESCOPIC FLUE TERMINAL (XT)	20122761	SPACING FRAME	20030704
VERTICAL FLUE TERMINAL (XV)	20122763	MAGNETIC FILTER	29450199
REAR FLUE TERMINAL	20132064	FUELSAVER	29450000
STANDARD BeSMART WI-FI KIT	20111860	CONDENSATE PUMP	404
7 DAY RF PROGRAMMABLE ROOM THERMOSTAT	20101743	PIPE COVER	20012594
OUTSIDE WEATHER COMPENSATION SENSOR <sup>(2)</sup>	2359259	25A / 29A LPG KIT	20082917 / 20113110

**GET IN TOUCH**  
 Vokera Limited, Borderlake House, Unit 7 Riverside Industrial Estate, London Colney, AL2 1HG  
**E:** enquiries@vokera.co.uk **T:** 0844 391 0999  
**W:** www.vokera.co.uk **F:** 0844 391 0998

#### WE ARE SOCIAL

